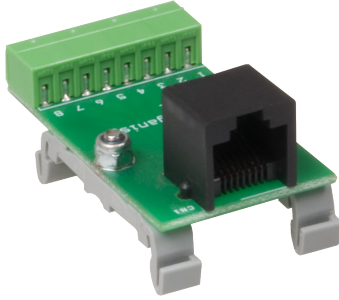


UTP Organiser



SPECIFICATIONS

Connection

- RJ-45 female connector
- 8-pin 3.5 mm connector

Physical

Dimensions

- 50 x 30 x 17 mm without DIN rail mounting feet
- 50 x 30 x 28 mm with DIN rail mounting feet

Environment conditions

- Operating temperature 10° to 40° C
- Storage temperature 0° to 60° C
- Relative humidity 10% to 90% non-condensing

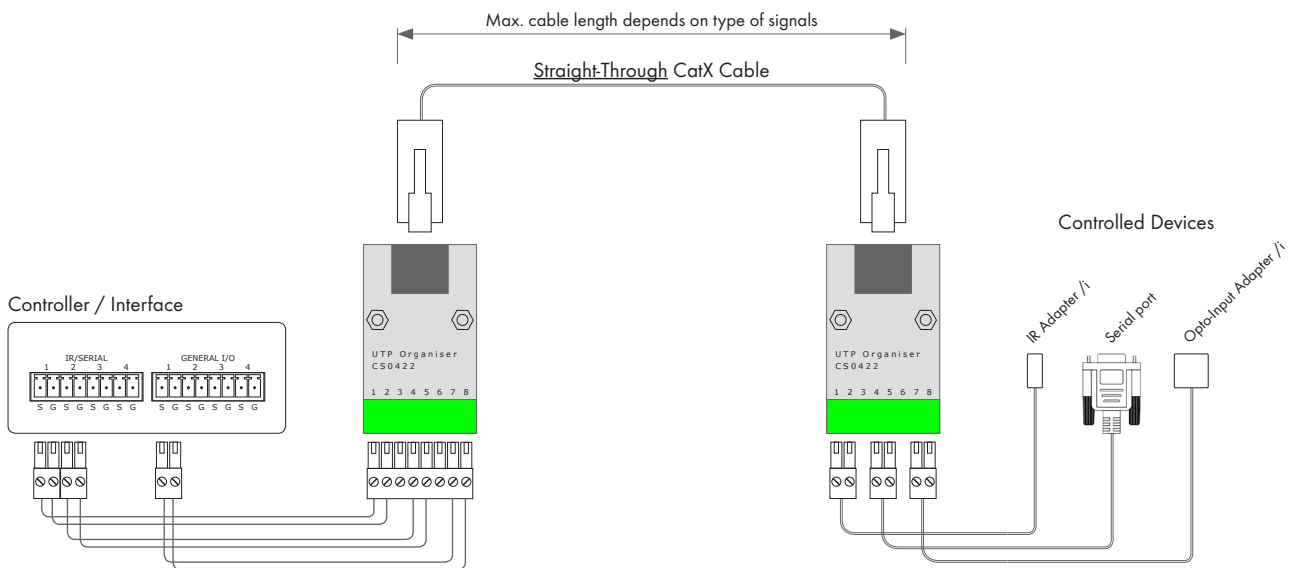
ORDER INFORMATION

Product code CS0422

BOX CONTENTS

- UTP Organiser board
- 8-pin cable connector
- 2x DIN rail plastic mounting feet incl. screws

APPLICATION EXAMPLE



MAIN FEATURES

- RJ-45 to 8-pin connector adapter
- All 8 pins of RJ-45 brought to 8-pin 3.5 mm connector
- Two mounting holes
- DIN rail compatible plastic mounting feet

DESCRIPTION

The UTP Organiser brings all 8 pins of RJ-45 connector to 8-pin 3.5 mm Phoenix type connector. It is equipped with two mounting holes and DIN rail compatible plastic mounting feet.

This organiser is perfect for connection of UTP cable, which is used for non-standard signals. For example IR, serial, I/O etc. can be combined - see application example.

NOTE

For proper functionality respect following rules

- Use straight-through CatX cable
- Use pairs for specific signals - one pair for IR, second pair for serial etc. CatX cable pairs are connected to 8-pin connector pins 1-2, 3-6, 4-5 and 7-8 as described on following picture.

